

DESCRIPTION

The TCM3651 is a high performance buck boost converter that the output voltage can be programmable from 0.9V up to 20V through external resistor.

The TCM3651 implements the Buck Boost converter with a single inductor architecture that operates with input voltages above, below or equal to the output voltage. And support 2-switch boost mode for higher efficiency.

The integrated low Rds(on) MOSFET minimizes physical footprint, maximizes efficiency, which reduces the power dissipation. Constant current control is utilized to protect the device from overshooting at fault conditions. Built-in loop compensation simplifies the circuit and design.

TCM3651 guarantees robustness with under voltage lockout, short circuit protection and thermal protection.

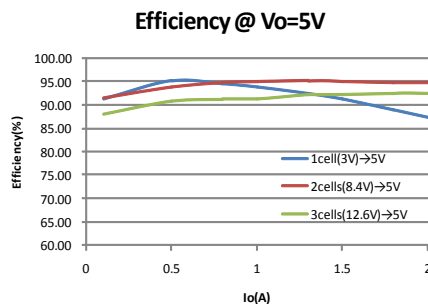
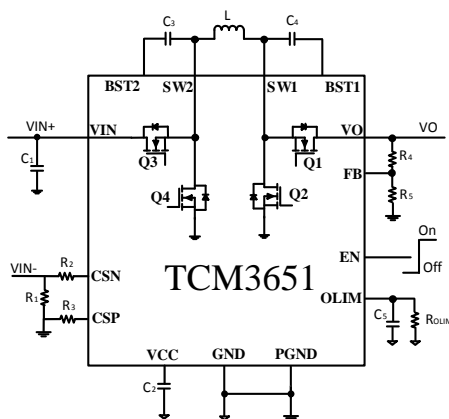
FEATURES

- Integrate low R_{DS} (on) power MOSFET
- Wide V_{IN} range:3.0V-21V
- Wide V_O range:0.9V-20V
- Compatible with 4-switch buck-boost mode and 2-switch boost mode.
- Fixed frequency 450kHz
- Programmable input and output current limit
- Output constant current control.
- Quiescent current: <60μA
- Integrate output short protection (4-switch buck-boost mode)
- Integrate thermal protection
- QFN3X4-15 package

APPLICATIONS

- Power bank systems
- USB power delivery
- Industrial applications
- Automotive systems

TYPICAL APPLICATION



ORDER INFORMATION

DEVICE ¹⁾	PACKAGE	TOP MARKING ²⁾
TCM3651-QO	QFN3×4-15	