

## Description

TCS4620 is a high efficiency monolithic synchronous step-down DC/DC converter utilizing a constant frequency, average current mode control architecture. Capable of delivering up to 1.5A continuous load with excellent line and load regulation. The device operates from an input voltage range of 8.5V to 60 V and provides an adjustable output voltage from 1.0V to 55V.

The TCS4620 features short circuit and thermal protection circuits to increase system reliability. The internal soft-start avoids input inrush current during startup.

The TCS4620 require a minimum number of external components. and a wide array of protection features to enhance reliability

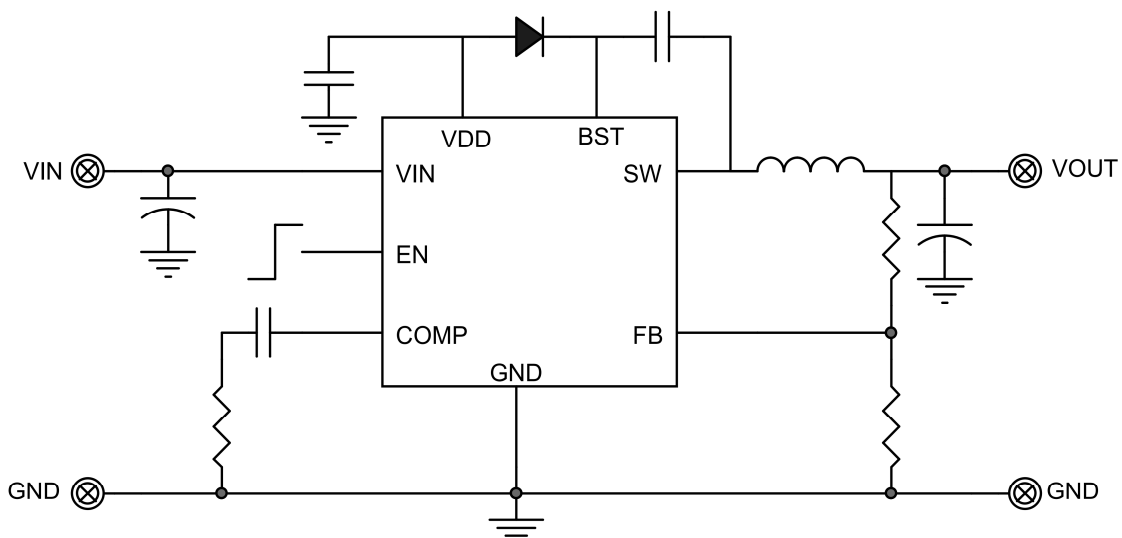
## Features

- Wide 8.5V to 60 V Operating input Range with maximum 100V transient
- 2.0A Peak Output Current
- 350uA Quiescent Current
- 100mΩ /100 mΩ Internal Power MOSFET
- Adjustable Output Voltages
- +/-2% Output Voltage Accuracy
- 350KHz Frequency
- Burst Mode Operation at Light Load
- Cycle-by-cycle Over Current Protection
- Output Short Circuit Protection with Hiccup
- Internal Soft Start
- Available in SOP8 Package

## Applications

- High Voltage Power Conversion
- Automotive Systems
- Distributed Power Systems
- Battery Powered Systems
- Industrial Power Systems

## Typical Application



Note: When using a solid or ceramic input Cap, It is recommended to parallel a TVS diode.