

General Description

The TCS5526 is a step-up converter designed for driving up to 8 Series white LED's from a single cell Lithium Ion battery. The device features integrated overvoltage protection and its low 250mV feedback voltage reduces power loss and improves efficiency.

Optimized operation frequency can meet the requirement of small LC filters value and low operation current with high efficiency. Internal soft start function can reduce the inrush current. SOT23-6 package type provides the best solution for PCB space saving and total BOM cost.

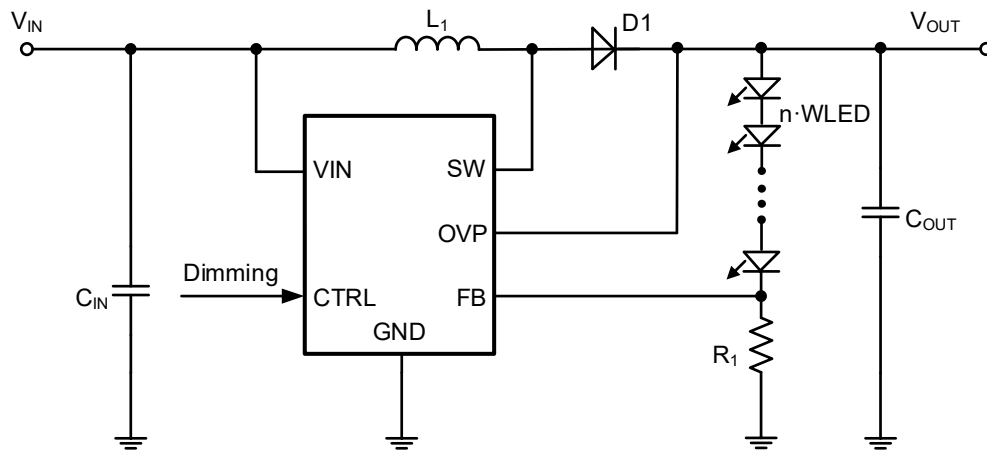
Features

- | | |
|------------------------------------|-----------------------------------|
| 2.5V to 5.5V Input Voltage | Internal Compensation |
| Drives up to 8 Series WLEDs | Thermal Shutdown |
| Low 250mV Feedback Voltage | Over Voltage Protection |
| 1.2MHz Fixed Switching Frequency | Dimming with wide Frequency Range |
| Internal 1.6A Switch Current Limit | Available in SOT23-6 package |

Applications

- | | |
|------------------------|--------------------|
| Camera Flash White LED | PDA LED back light |
| Digital still cameras | |

Typical Application Circuit



Typical Application Circuit