

Features

- 2.5V to 5.5V Input Voltage
- Drivers up to 8 Series WLEDs
- 300mV Feedback Voltage
- 1.2MHz Fixed Switching Frequency
- Internal 1.6A Switch Current Limit

- Internal Compensation
- Thermal Shutdown
- Over Voltage Protection
- Dimming with wide Frequency Range
- Available in SOT23-6 package

Applications

- Camera Flash White LED
- Digital still cameras

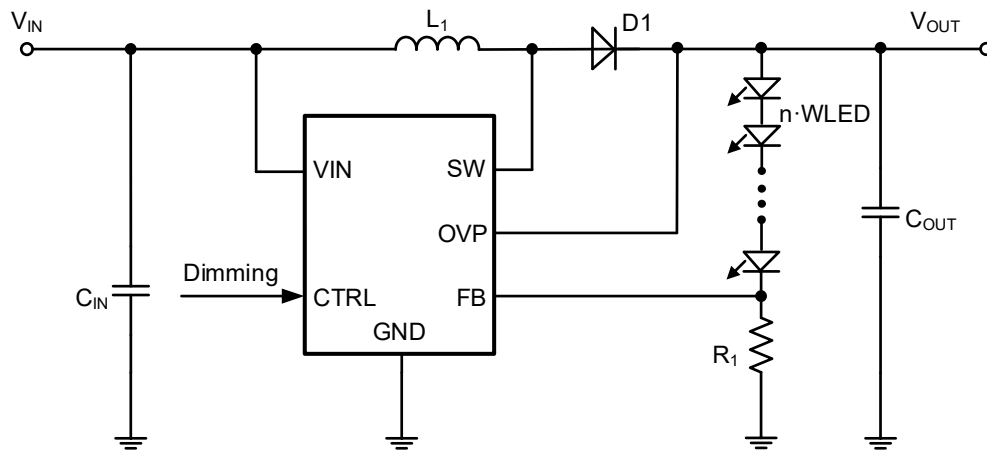
- PDA LED back light

General Description

The TCS5530 is a step-up converter designed for driving up to 8 Series white LED's from a single cell Lithium Ion battery. The device features integrated overvoltage protection and its low 300mV feedback voltage reduces power loss and improves efficiency.

Optimized operation frequency can meet the requirement of small LC filters value and low operation current with high efficiency. Internal soft start function can reduce the inrush current. SOT23-6 package type provides the best solution for PCB space saving and total BOM cost.

Typical Application Circuit



Typical Application Circuit