

General Description

The TCS5530B is a step-up converter designed for driving up to 8 Series white LED's from a single cell Lithium Ion battery. The device features integrated overvoltage protection and Its low 300mV feedback voltage reduces power loss and improves efficiency.

Optimized operation frequency can meet the requirement of small LC filters value and low operation current with high efficiency. Internal soft start function can reduce the inrush current. SOT23-6 package type provides the best solution for PCB space saving and total BOM cost.

Features

2.5V to 5.5V Input Voltage

Drivers up to 8 Series WLEDs

300mV Feedback Voltage

1.2MHz Fixed Switching Frequency

Internal 1.6A Switch Current Limit

Internal Compensation

Thermal Shutdown

Over Voltage Protection

Dimming with wide Frequency Range

Available in SOT23-6 package

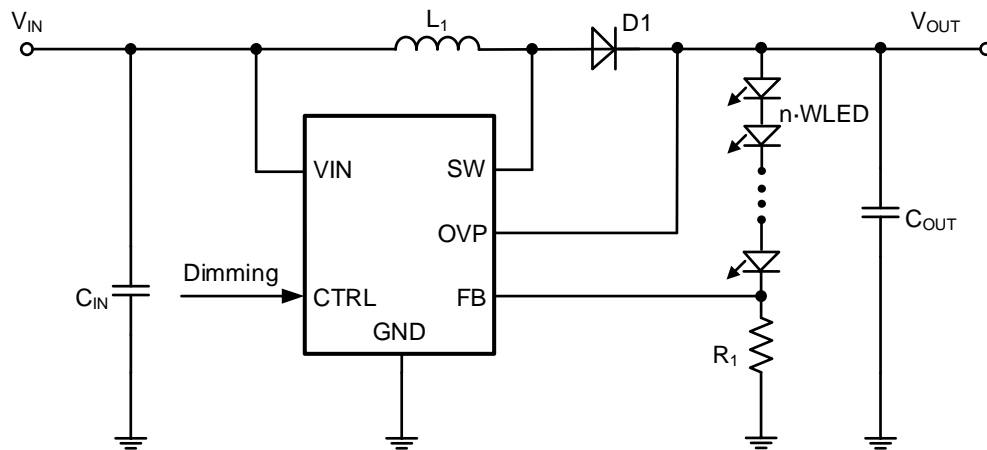
Applications

Camera Flash White LED

Digital still cameras

PDA LED back light

Typical Application Circuit



Typical Application Circuit