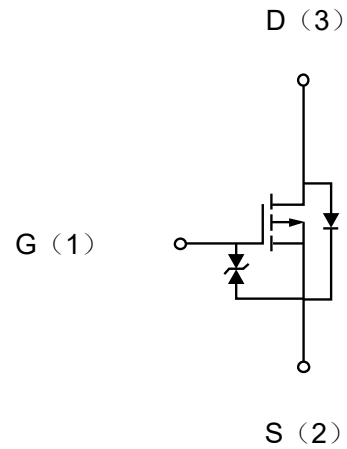


Description

The MOSFET provide the best combination of fast switching, low on-resistance and cost-effectiveness.

MOSFET Product Summary		
V _{DS} (V)	R _{DS(on)} (Ω)	I _D (mA)
-20	0.45@ V _{GS} =-4.5V	-800
	0.62@ V _{GS} =-2.5V	
	0.86@ V _{GS} =-1.8V	



Absolute maximum rating@25°C

Parameter		Symbol	Value	Units
Drain-Source Voltage		V _{DS}	-20	V
Gate-Source Voltage		V _{GS}	±10	V
Continuous Drain Current(T _J =150°C)	Continuous	I _D	-800	mA
	Pulsed	I _{DP}	-1200	
Source current(Body diode)	Continuous	I _S	-500	mA
	Pulsed	I _{SP}	-1200	
Total power dissipation		P _D	150	mW
Channel temperature		T _{CH}	150	°C
Range of storage temperature		T _{STG}	-55 to +150	°C

Thermal resistance

Parameter	Symbol	Limits	Units
Channel to ambient	R _{th(ch-a)}	833	°C/W

Ordering information

Device	Package	Shipping
TCS1273_C	SOT-723 (Pb-Free)	10000 / Tape & Reel