

DESCRIPTION

The TCS1313 is the P-Channel logic enhancement mode power field effect transistor is produced using high cell density advanced trench technology..

This high density process is especially tailored to minimize on-state resistance.

This device is suitable for use as a load switch or in PWM and gate charge for most of the synchronous buck converter applications

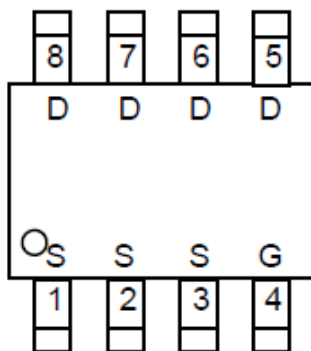
FEATURE

- ◆ $-30V/-13A, R_{DS(ON)} < 11m\Omega (typ.) @ V_{GS} = -10V$
- ◆ $-30V/-7.0A, R_{DS(ON)} < 14.5m\Omega (typ.) @ V_{GS} = -4.5V$
- ◆ Super high design for extremely low $R_{DS(ON)}$
- ◆ Exceptional on-resistance and Maximum DC current capability
- ◆ Full RoHS compliance
- ◆ SOP8 package design

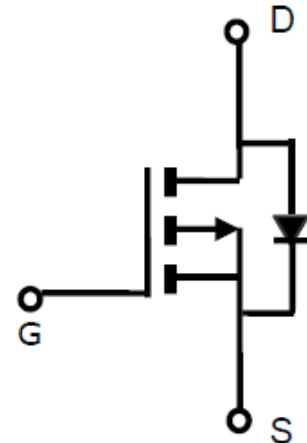
APPLICATIONS

- ◆ High Frequency Point-of-Load Synchronous Buck Converter for MB/NB/UMPC/GA
- ◆ Newworking DC-DC Power System
- ◆ Load Switch
- ◆ Power Management in Note Book

PIN CONFIGURATION



TOP VIEW
SOP-8



P-Channel

ORDERING INFORMATION

Part Number	Package Code	Package	Shipping
TCS1313_ SH	S	SOP8	3000EA / T&R