

DESCRIPTION

The TCS1435 is the P-Channel logic enhancement mode power field effect transistor is produced using high cell density advanced trench technology..

This high density process is especially tailored to minimize on-state resistance.

These devices are particularly suited for low voltage application, notebook computer power management and other battery powered circuits where high-side switching

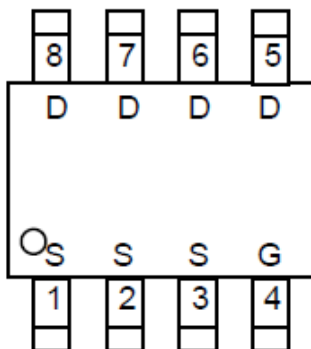
FEATURE

- ◆ -30V/-5.8A, $R_{DS(ON)}=38m\Omega$ (typ.) @ $V_{GS}=-10V$
- ◆ -30V/-4.0A, $R_{DS(ON)}=60m\Omega$ (typ.) @ $V_{GS}=-4.5V$
- ◆ Super high design for extremely low $R_{DS(ON)}$
- ◆ Exceptional on-resistance and Maximum DC current capability
- ◆ Full RoHS compliance
- ◆ SOP8 package design

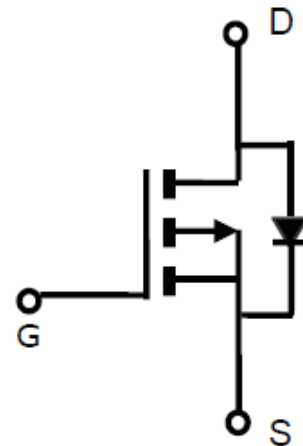
APPLICATIONS

- ◆ High Frequency Point-of-Load Synchronous
- ◆ Newworking DC-DC Power System
- ◆ Load Switch

PIN CONFIGURATION



TOP VIEW
SOP-8



P-Channel

ORDERING INFORMATION

Part Number	Package Code	Package	Shipping
TCS1435-H	S	SOP8	3000EA / T&R

※ Year Code : 0~9

※ Week Code : A~Z(1-26); a~z(27~52)

※ G : Green Product. This product is RoHS compliant.