

1. Description

The TCS9134C is a high quality stereo DAC designed for portable multimedia applications. The TCS9134C is a complete, stereo digital-to-analog output systems including interpolation, multi-bit D/A conversion and output analog filtering in a 10-pin package.

The TCS9134C support all major audio data interface formats, and the individual devices differ only in the supported interface format. The device including digital interpolation, third-order multi-bit delta-sigma digital-to-analog conversion, digital de-emphasis, analog filtering. the TCS9134C is available in a 10-pin MSOP package in Commercial (-40°C to +85°C) grade.

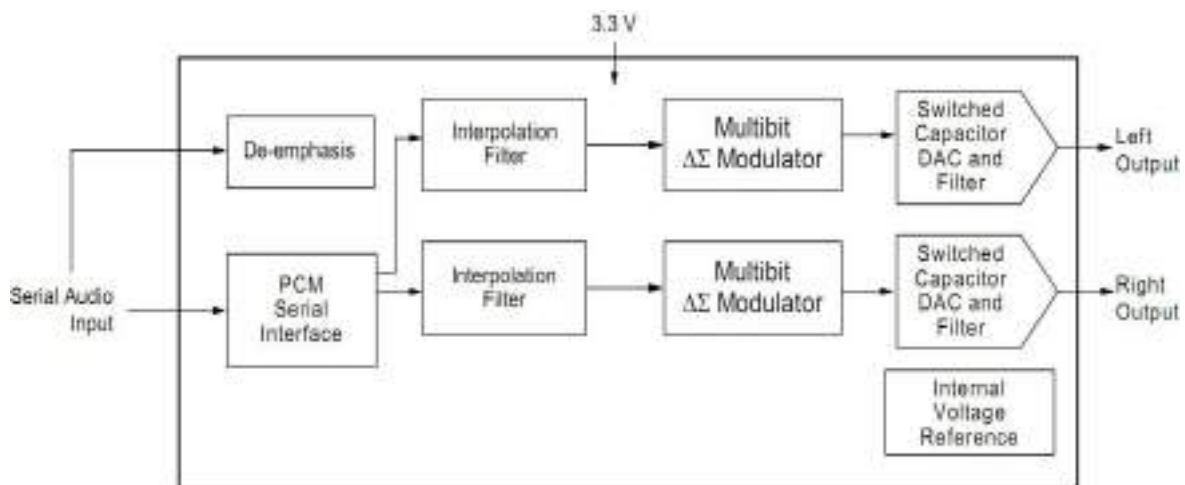
2. Features

- DAC SNR 96dB ('A' weighted)
- THD+N -92dB
- Architecture
- – Filtered Line-level Outputs
- VCC/2 common mode
- Supports sample rates up to 192 kHz
- 24-bit I²S input
- Small 10-pin MSOP package

3. Applications

- Handheld gaming
- Mobile multimedia
- DVD players
- Digital TVS

4. Block diagram



Ordering Information

Product Model	Product Packaging	Package/Quantity	Screen Printing of Products
TCS9134C-MJ	MSOP-10	Reel /4000 Units	

Note: The number of "DATE CODE" is subject to the week number of production date.