

Description

The TCS9229 is an Over-Voltage-Protection (OVP) load switch with adjustable OVLO threshold voltage. The device will switch off internal MOSFET to disconnect IN to OUT to protect load when any of input voltage over the threshold.

When the OVLO input set below the external OVLO select voltage, the TCS9229 automatically chooses the internal fixed OVLO threshold voltage. The over voltage protection threshold voltage can be adjusted with external resistor divider and the OVLO threshold voltage range is 4.0V~16V. The Over temperature protection (OTP) function monitors chip temperature to protect the device.

The TCS9229 is available in DFN2x2-8L package. Standard products are Pb-free and Halogen-free.

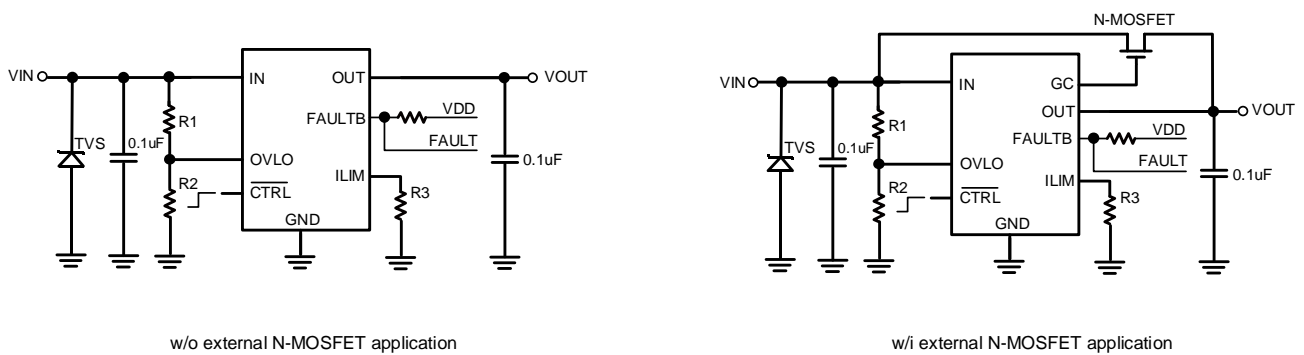


Figure 1: Typical Application

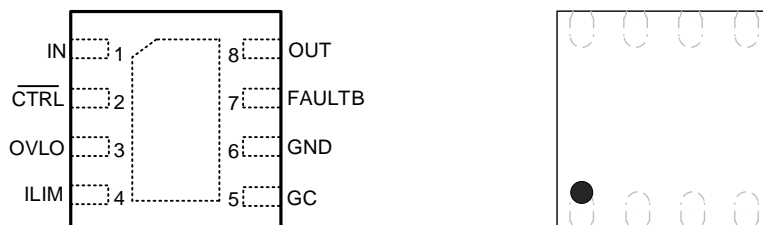


Figure 2: Pin order (Top view) and Marking (Top view)

Feature

- Maximum input voltage: 40V
- Switch ON resistance: 79mΩ Typ.
- Ultra fast OVP response time: 50ns Typ.
- Programmed over-current protection:
200mA-3A
- Adjustable OVLO threshold voltage: 4.0V-16V, ±3%
- Fixed internal OVLO threshold voltage: 6.0V, ±3%
- Over temperature protection

Application

- Mobile Handsets and Tablets
- Portable Media Players
- Peripherals