

General Description

The TCS4483 is a low EMI signature, asynchronous, step-down, switch-mode converter with internal power MOSFETs. It offers a very compact solution to provide a 3.0A continuous current over a wide input supply range, with excellent load and line regulation. TCS4483 achieves low EMI signature with well controlled switching edges. Fault condition protection includes programmable-output over-voltage protection, Constant on time Mode, and thermal shutdown. TCS4483 requires a minimal number of readily available standard external components. It is available in ESOP8 package.

Features

- Wide 4.5V to 36V Operating Input Range
- 3.0A Continuous Output Current
- 550KHz Switching Frequency
- Short Protection with Hiccup-Mode
- Built-in Over Current Limit
- Programmable Output Over-Voltage Protection
- DCM Mode for High Efficiency in Light Load
- Integrated internal Soft-Start

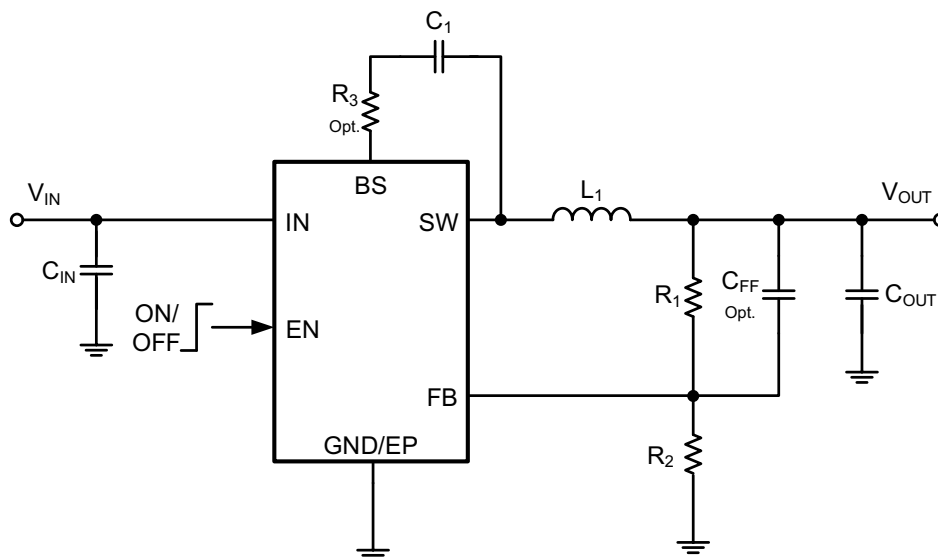
- 120/80mΩ Low $R_{DS(ON)}$ Internal MOSFETs
- Output Adjustable from 0.8V
- Low EMI Signature
- 100% Duty cycle
- Integrated internal compensation
- Thermal Shutdown
- Available in ESOP8 Package
- Constant on time Mode

Applications

- Automotive Entertainment
- Wireless and DSL Modems

- Computer Entertainment
- Power Supply for Car Chargers

Typical Application Circuit



Basic Application Circuit